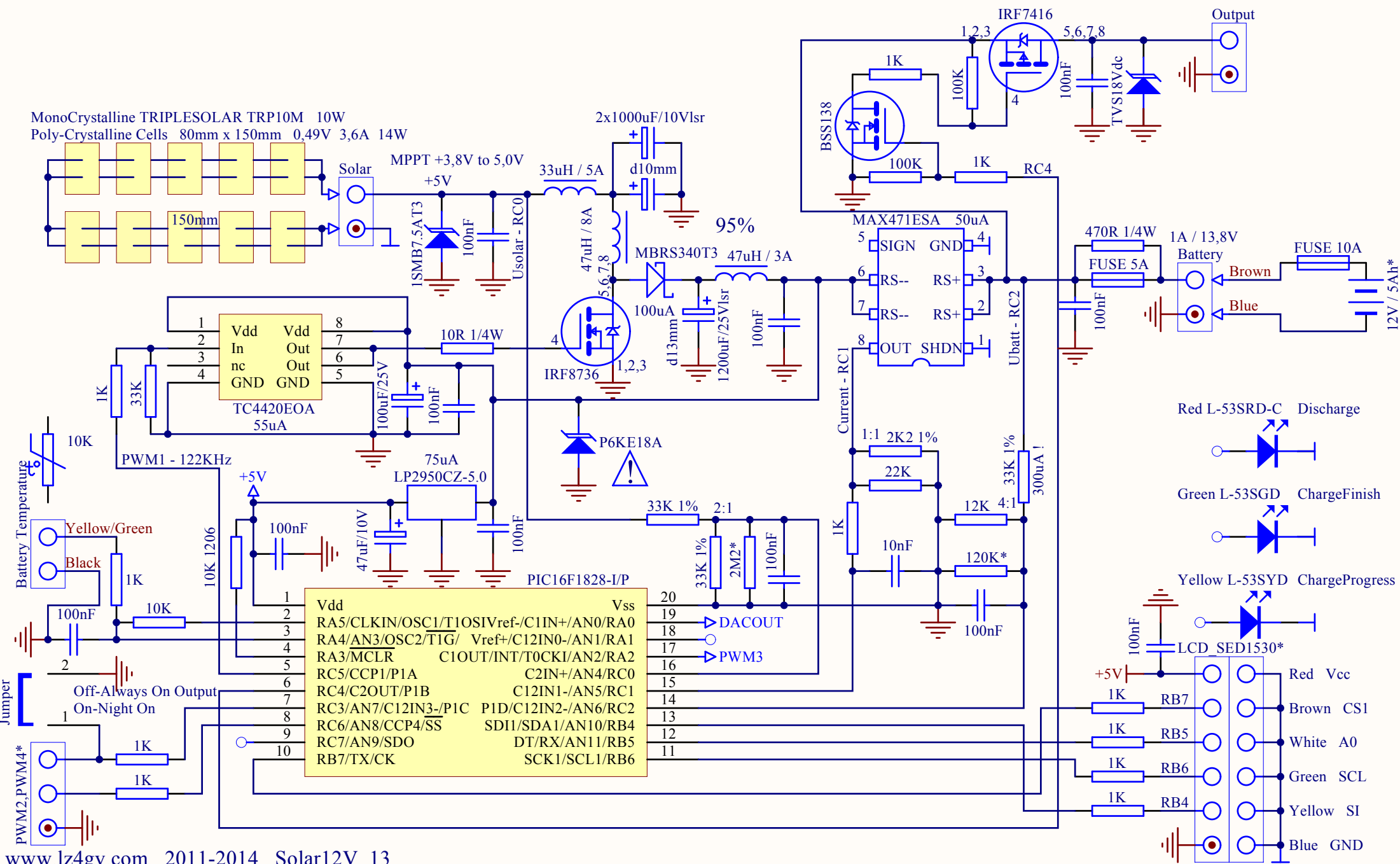


MonoCrystalline TRIPLESOLAR TRP10M 10W  
 Poly-Crystalline Cells 80mm x 150mm 0.49V 3.6A 14W



- Red L-53SRD-C Discharge
- Green L-53SGD ChargeFinish
- Yellow L-53SYD ChargeProgress
- LCD\_SED1530\*

- Red Vcc
- Brown CS1
- White A0
- Green SCL
- Yellow SI
- Blue GND