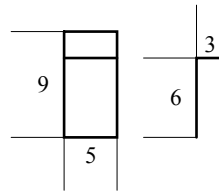
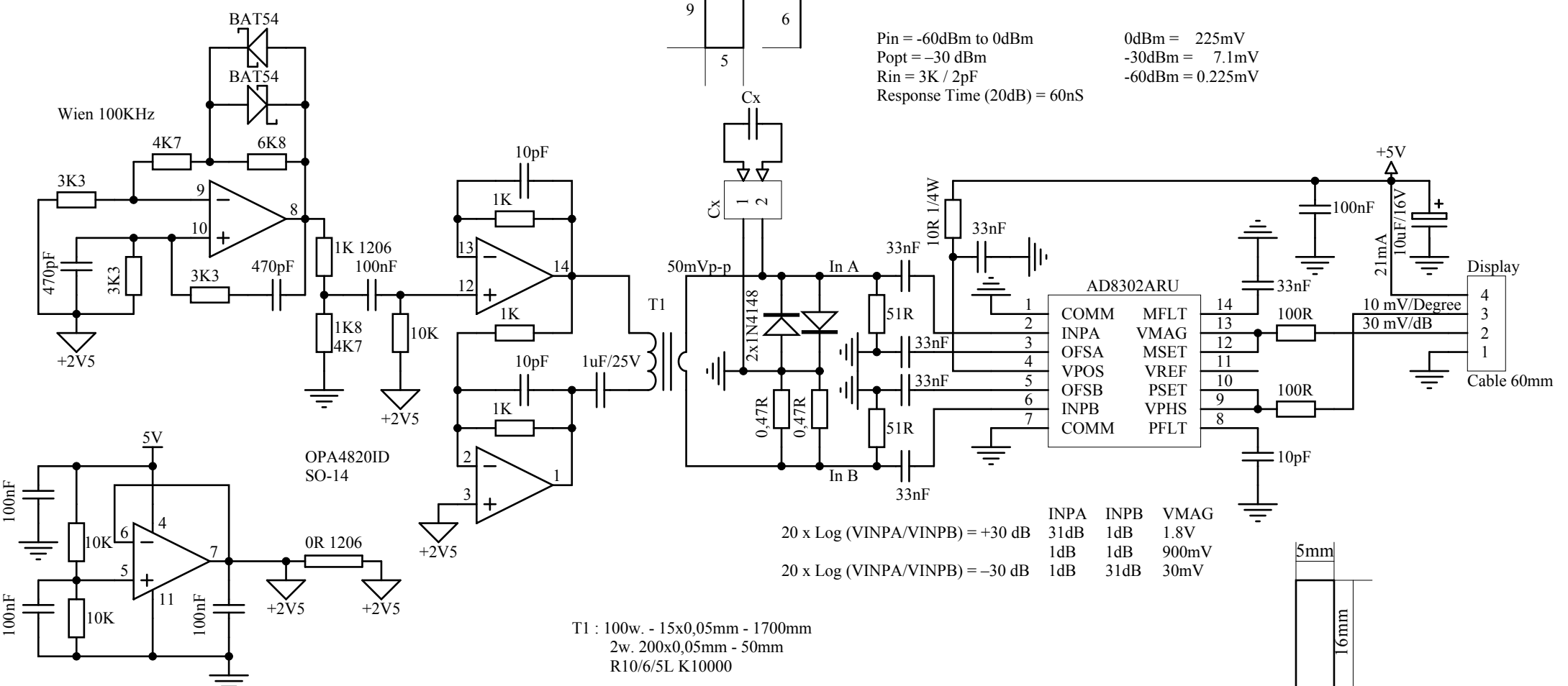


	Default	A	B
0R	0.030	0.070	0.091V
0.1R	0.722	0.715	0.752
0.47R	1.126	1.110	1.150



Pin = -60dBm to 0dBm  
 Popt = -30 dBm  
 Rin = 3K / 2pF  
 Response Time (20dB) = 60nS

0dBm = 225mV  
 -30dBm = 7.1mV  
 -60dBm = 0.225mV



$20 \times \text{Log} (V_{INPA}/V_{INPB}) = +30 \text{ dB}$     31dB    1dB    1.8V  
 $20 \times \text{Log} (V_{INPA}/V_{INPB}) = -30 \text{ dB}$     1dB    1dB    900mV  
 $20 \times \text{Log} (V_{INPA}/V_{INPB}) = -30 \text{ dB}$     1dB    31dB    30mV

T1 : 100w. - 15x0,05mm - 1700mm  
 2w. 200x0,05mm - 50mm  
 R10/6/5L K10000

